

Features

- The armrest provides a secure hand and balance support.
- Adjustable height accommodates standard or elevated toilet seats.
- Free standing design, portable toileting solution.
- Tool free assembly, easy to clean.

Specifications

- Max user weight: 150kg (330lbs)
- Item weight: 8.5kg
- Depth: 47.5cm
- Width: 68~75cm (2 sections)
- Height: 63~73cm (5 sections, 2.5cm each)
- Material: Steel, plastic
- Design in Taiwan



Read This Instruction Manual Carefully Before Use

IMPORTANT: KEEP FOR FUTURE REFERENCE

Read the entire Instruction before assembling and installing this product.

If you sell or give away this product, make sure you give this Instruction to the new owner.

Thank you!

⚠ WARNING

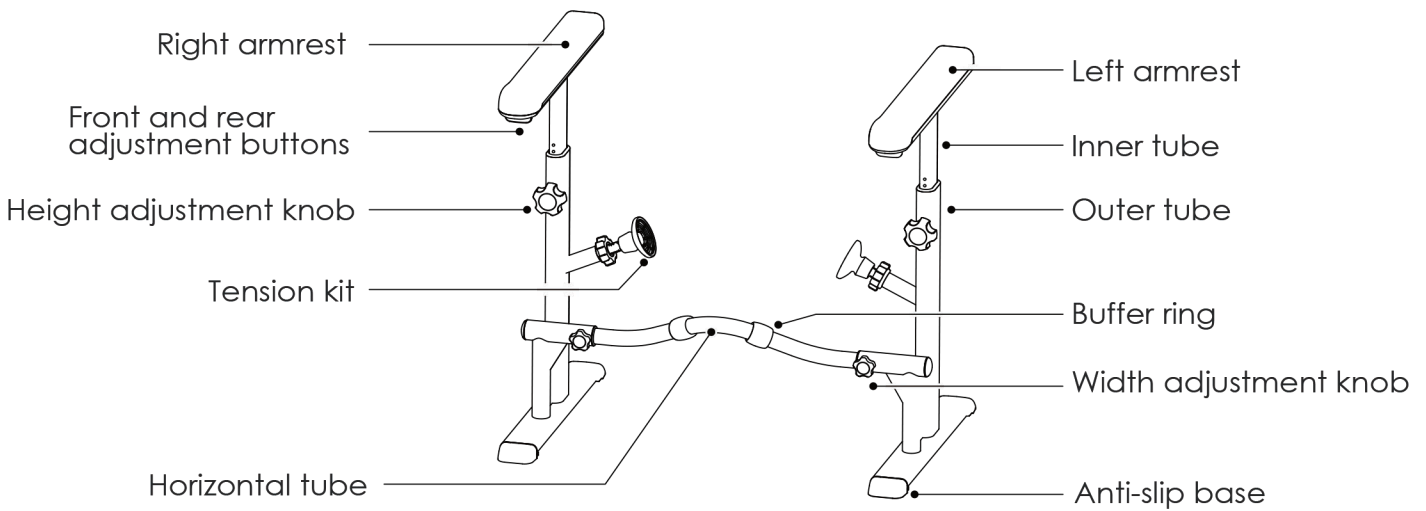
Weight Capacity: 150 kgs/330 lbs

1. Users with limited physical capabilities should be supervised or assisted when using the Smart Toilet Frame.
2. The Smart Toilet Frame is designed to provide support, increase stability and assist the end-user. The Smart Frame is NOT designed to support the total weight of an individual.
3. ALWAYS observe the weight limit on the labeling of your product. Check that all labels are present and legible. Replace if necessary.

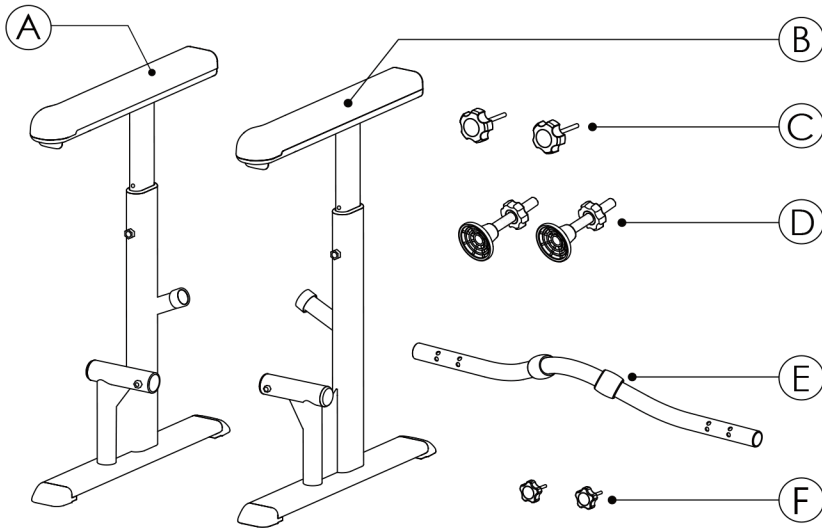
Installation Warnings

- Please read the instructions before installation, all the knob screws should be fasten and tighten through the inside and outside of tubes, the tension kit must be tighten securely to the toilet.
- When installing the width, you need 38cm or more to keep the armrest operation smooth.
- It is forbidden to dismantle the armrest or to repair the armrest.
- Ensure that ALL hardware is tight at ALL times. Do not use the product if it is defective.
- If the product is not stable after installation, please stop using it and contact the service person for solution.

Parts Name

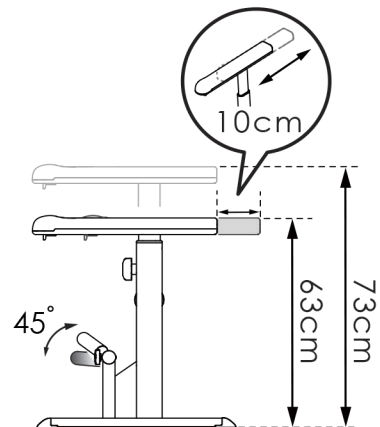
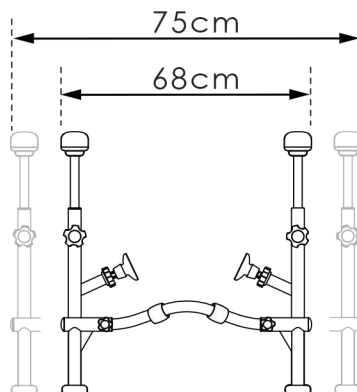
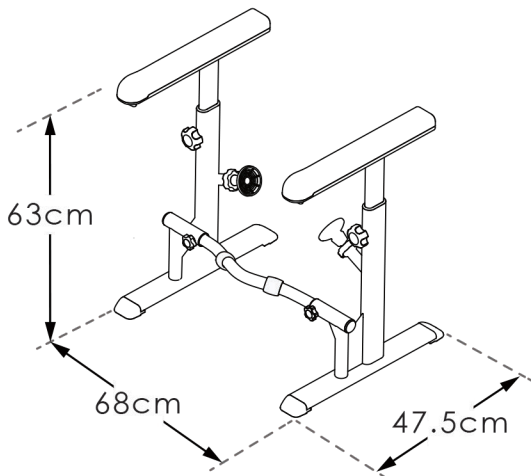


Parts List



No.	Parts Name	Qty.
A	Right base frame	1
B	Left base frame	1
C	Height adjustment knob	2
D	Tension kit	2
E	Horizontal tube	1
F	Width adjustment knob	2

Product Dimensions



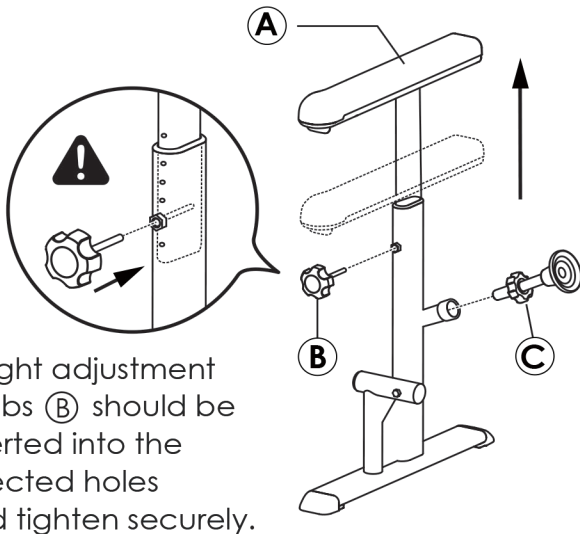
Installation & Operation

STEP 1

Lift the armrest (A) up to the desired position, insert the knob (B) into the hole, turn clockwise until the knob is tightly locked onto the tube.

Insert the tension kit (C) into the side tube.

Both armrests are assembled in the same way.

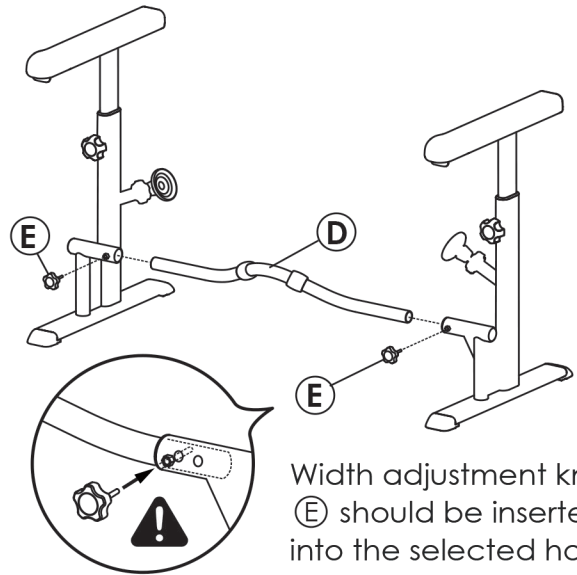


Height adjustment knobs (B) should be inserted into the selected holes and tightened securely.

STEP 2

Insert the left and right armrests into the Horizontal tube (D) passing through and tight it by width adjustment knob (E).

Horizontal tube (D) can be adjusted with two angles and widths (68/75cm).

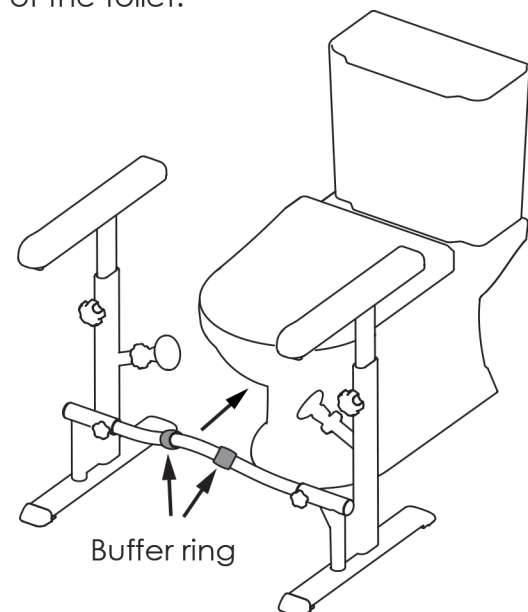


Width adjustment knobs (E) should be inserted into the selected holes and tightened securely.

STEP 3

Adjusting the buffer ring between the horizontal tube and the toilet to avoid collision.

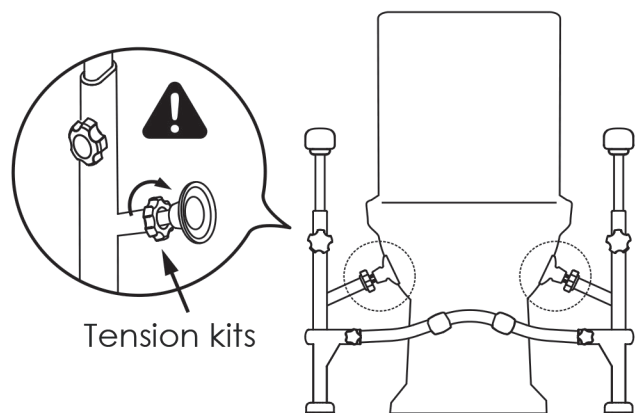
The whole set of Smart Toilet Frame should be fully leaned on the front of the toilet.



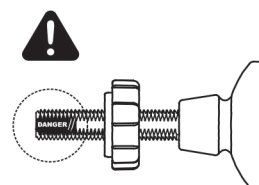
Buffer ring

STEP 4

Make sure the two sides of tension kits are fully tightened to the toilet without any possibility of moving.

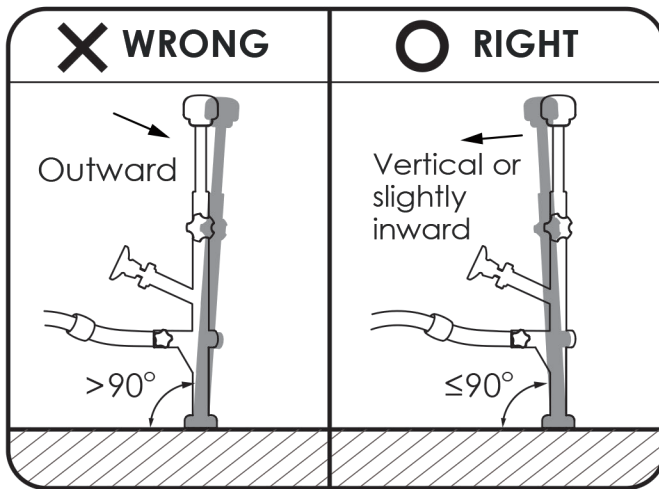


Tension kits



Above the yellow warning line to make sure the tension kit is securely tightened without any danger.

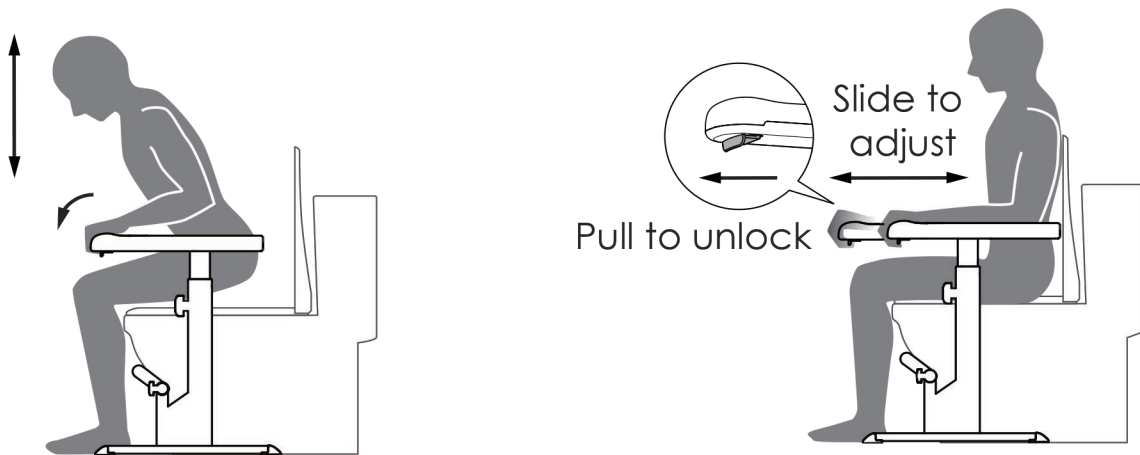
Checking before use



Make the two armrests VERTICAL down to the floor or SLIGHTLY INWARD less than 90 degree angle.

Shake of the armrests by hand to check stability of the toilet frame after installation.

How to use



- Providing additional support and stability for toilet functions.

- Adjusting the front and rear adjustment buttons to rear position and support the elbows.
- Right & Left armrests should be positioned and fixed precisely without any possibility of moving.

Care

1. Please put it in the place of dry and wet separation. Clean with wet cloth and neutral detergent. Do not rinse with water.
2. Keep it away from baseboard heater or be exposed it to the sun. Cautions 1..
3. Please check the stability of the armrest regularly and make sure all hardware is tight at ALL times.